

1002628 Optical Precision Bench D, 1000 mm
1002629 Optical Precision Bench D, 2000 mm
1002630 Optical Precision Bench D, 500 mm
1002632 Swivel Joint for Optical Bench D
1012399 Support for Optical Bench D

Instruction sheet

11/15 Hh



- | | | | |
|---|------------------------------------|---|-----------------------------------|
| 1 | Optical Precision Bench D, 1000 mm | 3 | Support for Optical Bench D |
| 2 | Swivel Joint for Optical Bench D | 4 | Optical Precision Bench D, 500 mm |

1. Description

The optical bench and its accessories are used in experiments with optical components for research and demonstrations where the highest degree of precision is required for adjustment of axes and distance measurement.

The swivel joint permits experiment configurations where the beam path is deflected.

2. Technical data

2.1 Optical benches

The optical bench made of triangular-profile, black anodised aluminium is tilt-proof, deformation- and torsion-proof as well as anti-slip. A continuous scale in cm/mm division is attached to both sides. Two grooves on the supporting surface are available for optional mounting on two rail supports or one support and a single-point support. There are three drill holes at the front end for fastening the end plate or the swivel joint.

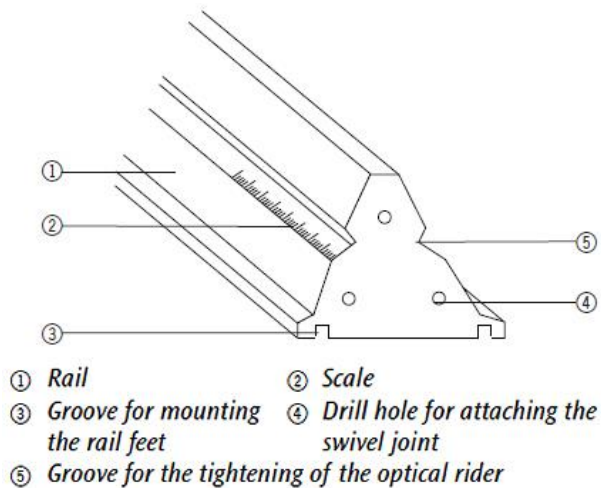


Fig. 1 Triangular-profile

| Art. No. | Length | Weight |
|----------|---------|-----------------|
| 1002630 | 500 mm | approx. 1.75 kg |
| 1002628 | 1000 mm | approx. 3.5 kg |
| 1002629 | 2000 mm | approx. 7 kg |

2.2 Set of supports for the optical bench

This set consists of two rail supports and a single-point support made of black anodised aluminium. It allows for height adjustment of the optical bench in a fourpoint or three-point support configuration.

Length of the supports: 270 mm

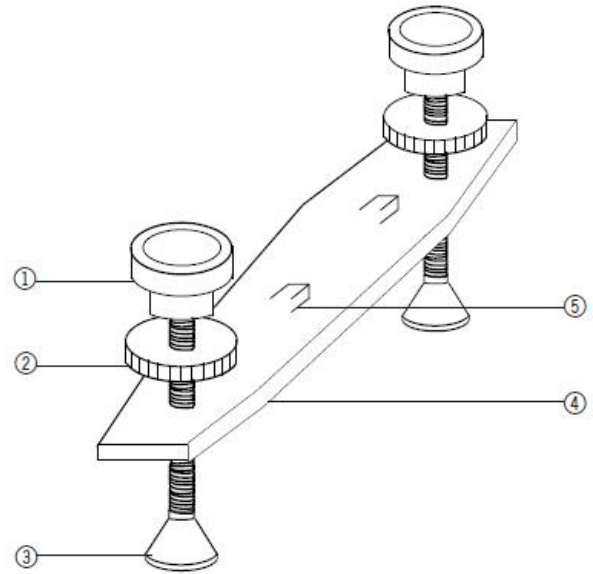


Fig. 2 Rai supports

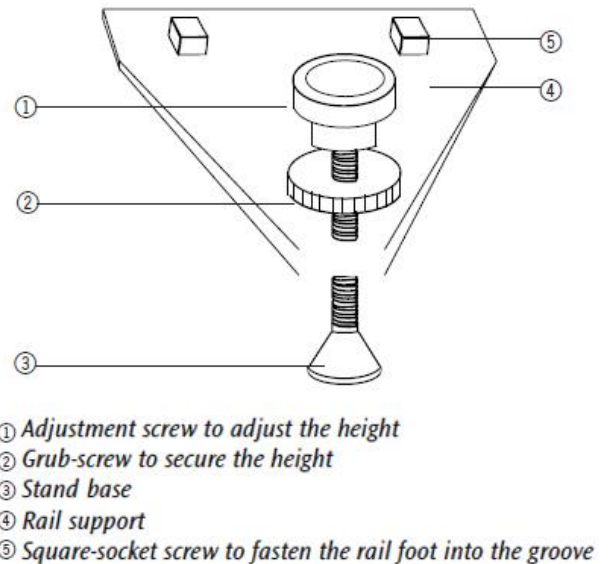
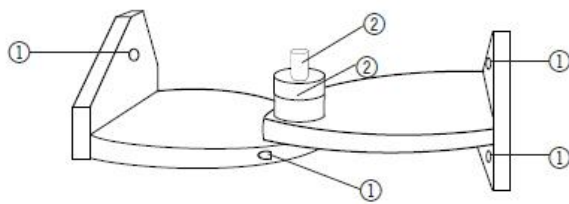


Fig. 3 Swivel Joint

2.3 Swivel joint

The swivel joint consists of black anodised aluminium and can be swivelled around an angle of 90° in both directions. A protractor has been included to set the angle. In the rotational axis there is a sleeve to mount optical components.

| | |
|-----------------------|-------------------|
| Rotational angle: | ± 90° |
| Protractor: | ±180° |
| Scale division: | 1° |
| Sleeve height: | 60 mm |
| Span width for shaft: | 10 mm up to 14 mm |



- ① Drilled screw holes for fastening to the optical bench
- ② Mount for protractor and sleeve

Fig. 4 Swivel joint

3. Operation

3.1 Assembly of the rail supports

- Insert the square-socket screws into the guide groove under the profile rail and fasten by tightening them.
- Adjust the height using the adjustment screw.
- Use the grub-screw to secure the settings.

3.2 Assembly of the swivel joint

- Take off the front plate by loosening the three fastening screws.
- Place the swivel joint on the rail and secure it by tightening the three screws.
- Connect the swivel joint to the second rail in like fashion.

3.3 Recommended rider and assembly aids

For the assembly of elements in the optical axis:

- Optical rider:

| Art. No. | Sleeve height | Base width |
|----------|---------------|------------|
| 1012400 | 60 mm | 50 mm |
| 1002635 | 90 mm | 50 mm |
| 1002637 | 120 mm | 50 mm |
| 1002639 | 60 mm | 36 mm |
| 1012401 | 90 mm | 36 mm |
| 1012402 | 120 mm | 36 mm |

To tilt element out of the optical axis:

- Tilting Rider D (1012467)

To slide elements perpendicular to the optical bench axis:

- Sliding rider D (1002644)

To position elements adjacent to the optical axis:

- Extension Arm D (1002646)